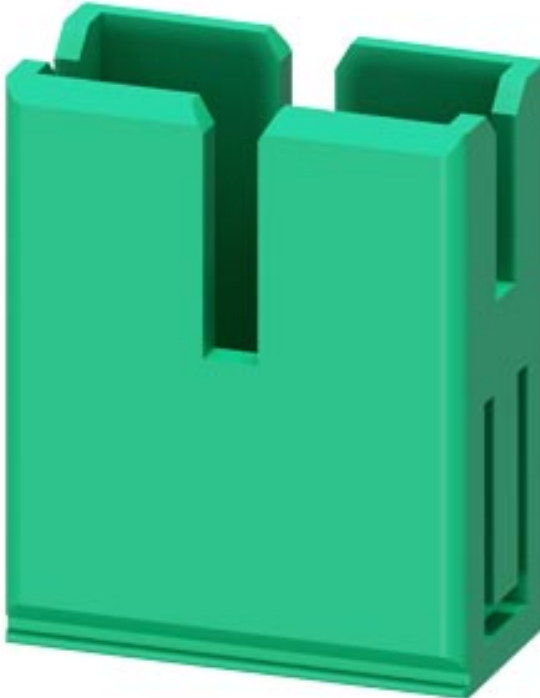


PE EXTENSION CONNECTOR,



General technical data:

<b>product brandname</b>		SIRIUS
<b>Product designation</b>		PE extension plug
<b>Protection class IP</b>		IP20
<b>Degree of pollution</b>		3
Installation altitude at height above sea level maximum	m	2 000
<b>Ambient temperature</b>		
• during transport	°C	-55 ... +80
• during storage	°C	-55 ... +80
• during operation	°C	-20 ... +60
<b>Vibration resistance</b>		f = 4 to 5.8 Hz; d = 15 mm; f = 5.8 to 500 Hz; a = 2 m / s <sup>2</sup> 10 cycles
<b>Shock resistance</b>		Semi-sinusoidal a = 6 m/s <sup>2</sup> at 10 ms; 3 pos. and 3 neg. Shock in all axes
<b>Equipment marking acc. to DIN EN 61346-2</b>		X
<b>Equipment marking acc. to DIN 40719 extended according to IEC 204-2 acc. to IEC 750</b>		X

Main circuit:

Operating current at AC at 400 V rated value	A	63
--	---	----

#### Installation/ mounting/ dimensions:

Mounting type		plug-in fixing
Width	mm	20
Height	mm	25
Depth	mm	10

#### Certificates/ approvals:

General Product Approval	EMC	Declaration of Conformity	Shipping Approval
--------------------------	-----	---------------------------	-------------------



Shipping Approval	other
-------------------	-------



[Environmental Confirmations](#)

[Confirmation](#)

#### Safety related data:

Protection against electrical shock	finger-safe
-------------------------------------	-------------

#### Further information

**Information- and Downloadcenter (Catalogs, Brochures,...)**

<http://www.siemens.com/industrial-controls/catalogs>

**Industry Mall (Online ordering system)**

<http://www.siemens.com/industrymall>

**Cax online generator**

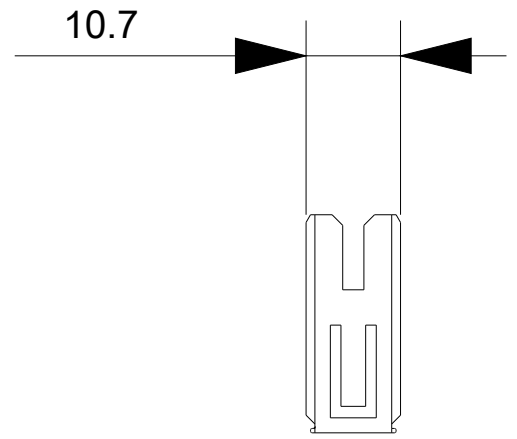
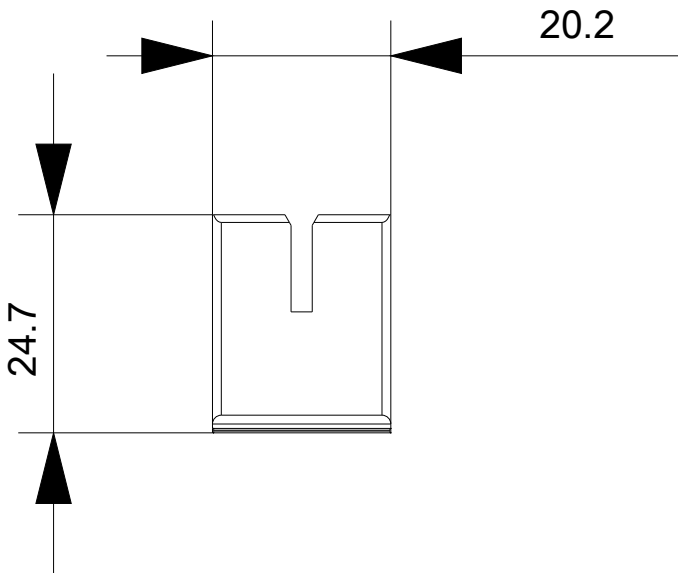
<http://support.automation.siemens.com/WW/CAXorder/default.aspx?lang=en&mlfb=3RA6890-0EA>

**Service&Support (Manuals, Certificates, Characteristics, FAQs,...)**

<https://support.industry.siemens.com/cs/ww/en/ps/3RA6890-0EA>

**Image database (product images, 2D dimension drawings, 3D models, device circuit diagrams, EPLAN macros, ...)**

[http://www.automation.siemens.com/bilddb/cax\\_de.aspx?mlfb=3RA6890-0EA&lang=en](http://www.automation.siemens.com/bilddb/cax_de.aspx?mlfb=3RA6890-0EA&lang=en)



last modified:

06/05/2017